



4610/11/14 Series Filter Assemblies

Description

Featuring Coreless Element Technology

Flows to 70 gpm (265 L/min)

Pressures to 6500 psi (450 bar)

Port sizes: 1" and 1-1/4"

Specifications

Features

- Optional Differential Pressure Devices
- Patented Sealing Interface - Positive sealing with standard O-rings
- Forged Steel Bowl
- Ductile Iron Head
- Full Flow Fast Response Bypass Valve
- Sampling or Bleed Port
- Ultipor® III Element
- Optional 1/4" Drain Port

Maximum Acceptable Working Pressure:

6500 psi (450 bar)

Fatigue Pressure Rating:

(NFPA/T2.6.1-1991 category B/90)

5800 psi (400 bar) Stainless steel indicators required above 3000 psi (207 bar) RFP

Typical Burst Pressure:

23,000 psi (1600 bar)

Filter Element Collapse Pressure:

290 psid (20 bar) minimum per ISO 2941

Temperature Range:

Nitrile seals -45°F to 225°F (-43°C to 107°C)

Fluorocarbon seals -20°F to 250°F (-29°C to 120°C)

140°F (60°C) maximum in HWCF or water-glycol fluids

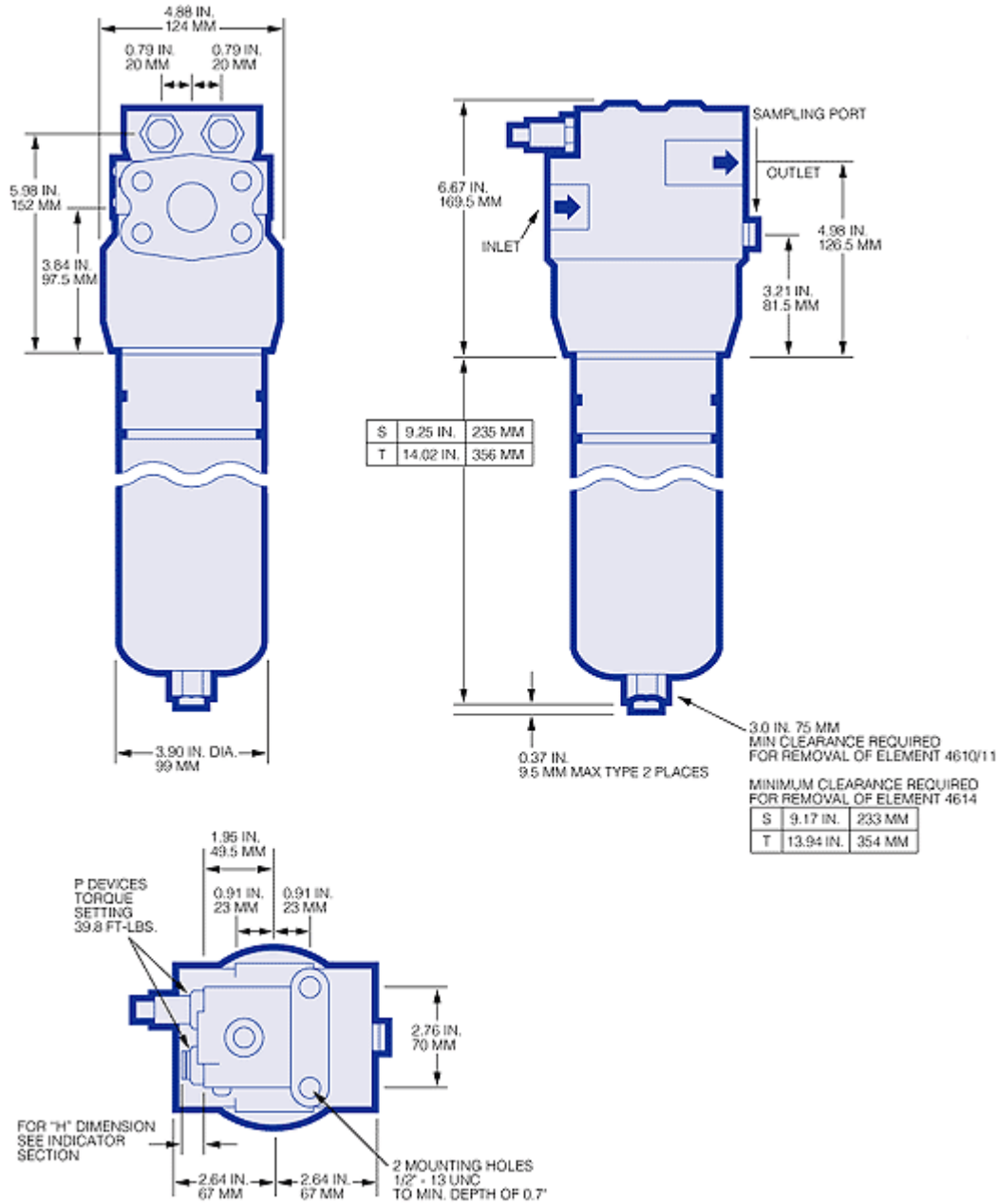
Dry Weights:

S length– 33 lbs. (15 kg)
 T length– 39 lbs. (17.7 kg)

Filter Element Collapse Pressure:

9100–290 psid (20 bar)
 9101–3000 psid (207 bar)
 9104–150 psid (10 bar)

Dimensional Drawings



Performance

TABLE 2: ELEMENT OPTIONS

Code	Rating
0	290 psid (standard)
1	3000 psid (high collapse)
4	150 psid (coreless)

TABLE 3: PORT STYLE OPTIONS

Code	Port Style
A	SAE J514 straight thread
D	Flange SAE J518c-Code 61
E	Flange SAE J518c-Code 62

TABLE 4: PORT SIZE OPTIONS

Code	Size
16	1"
20	1-1/4"

TABLE 5: FILTER ELEMENT OPTIONS

Code	$\beta_x \geq 200$	$\beta_{x(c)}=1000$
KZ	<1	2.5
KP	3	5
KN	6	7
KS	12	12
KT	25	22
DP*	3	5
DT*	17	15

*4611 only

*Indicators fatigue rated at 3000 psi. For cyclic pressures above 3000 psi, stainless steel indicators are necessary. Designate with an 'H' in model Code (e.g., PH, DH, etc.).

TABLE 6: LENGTH OPTIONS*

Assembly Code	Element Code**
S	8
T	13

* Use Code in second column for element part no.

** Nominal length in inches.

TABLE 7: BYPASS VALVE OPTIONS

Code	Description
B	50 psid- 4610/14 only
C	50 psid bypass with reverse flow-4610 only
W	Non-bypass- 4611 only
K	Non-bypass with reverse flow-4611 only

TABLE 8: DIFFERENTIAL PRESSURE DEVICE OPTIONS

Code	Description
P	Visual indicator with thermal lockout
D	Visual indicator with no thermal lockout
L	Electrical switch (SPDT) with 6" leads
T	Electrical switch with DIN connector
M	'T' type switch with matching wiring cap
S	Electrical switch with MS receptacle
V	Combined visual/electrical with DIN connector
B	Plug in place of indicator
2	'P' and 'L'
3	'P' and 'S'

Contact Information

© Copyright Pall Corporation

Visit us on the Web at www.pall.com