



FSB

吸油过滤器

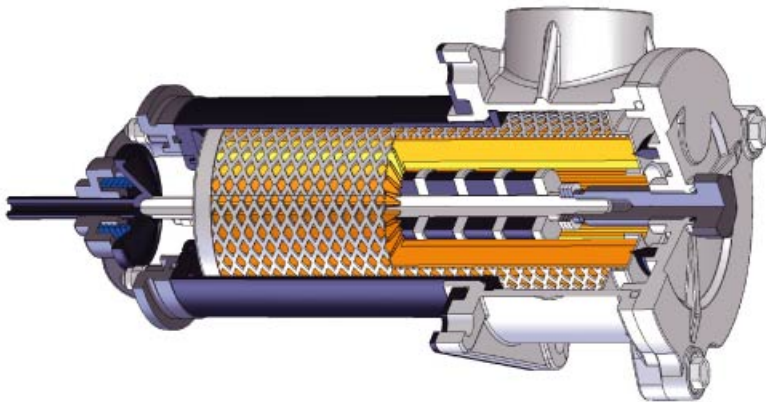
Suction Filters



S1



S2



磁钢

可选部件磁钢用于对磁性颗粒进行预过滤。

易于维护

转动盖顶的六方螺帽，关闭切断阀，更换滤芯时，油箱油液不会溢出。

MAGNETIC CORE

The optional magnetic core is an additional safeguard that prefilters magnetic particles.

EASY MAINTENANCE

Operated by a hexagonal cover stud the shut-of valve isolates the tank Oil allowing easy element replacement without emptying the reservoir.

材料

顶盖和壳体: 铝合金

滤芯: 滤纸, 编织网

压力 (ISO 10771-1:2002)

标准滤芯爆破压力: 100KPa (1 bar)

工作温度:

-25° to +110° C

MATERIALS

Cover & Head: Aluminium Alloy

Element: Paper, Wire Mesh

PRESSURE (ISO 10771-1:2002)

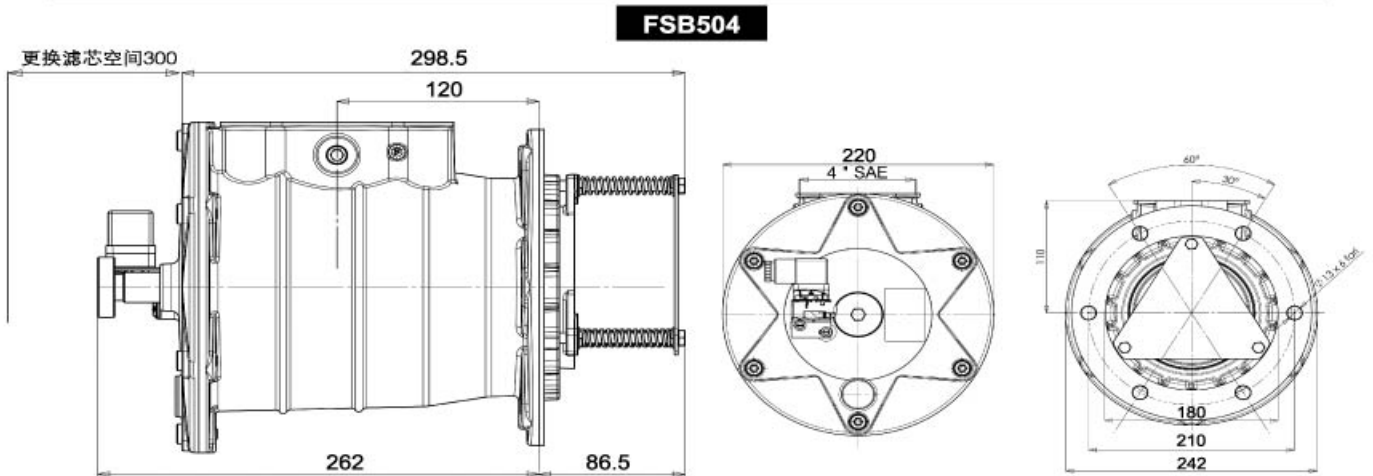
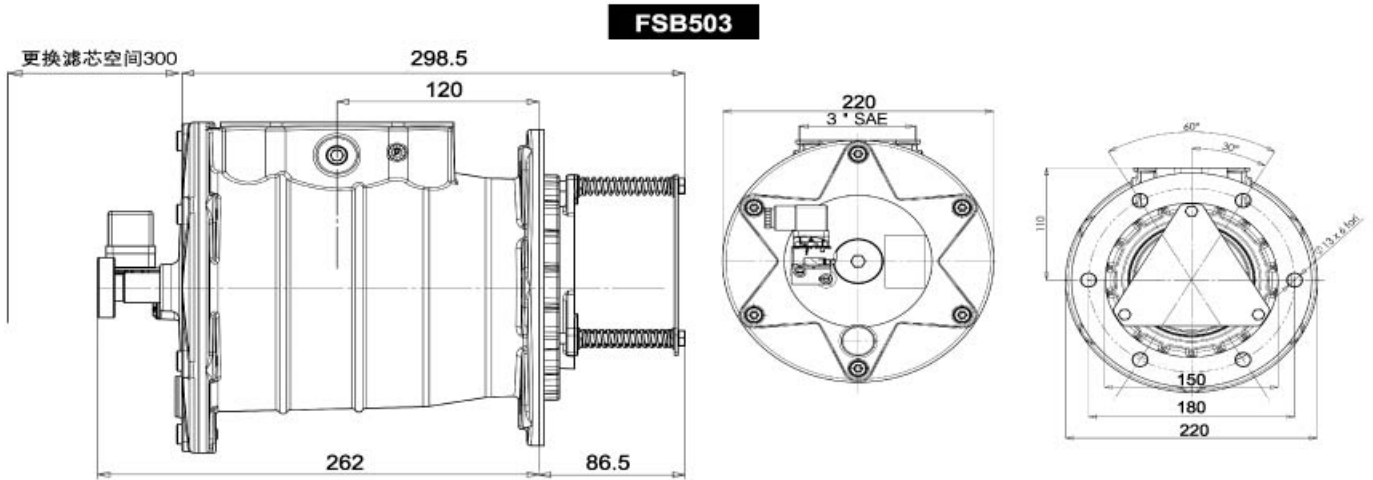
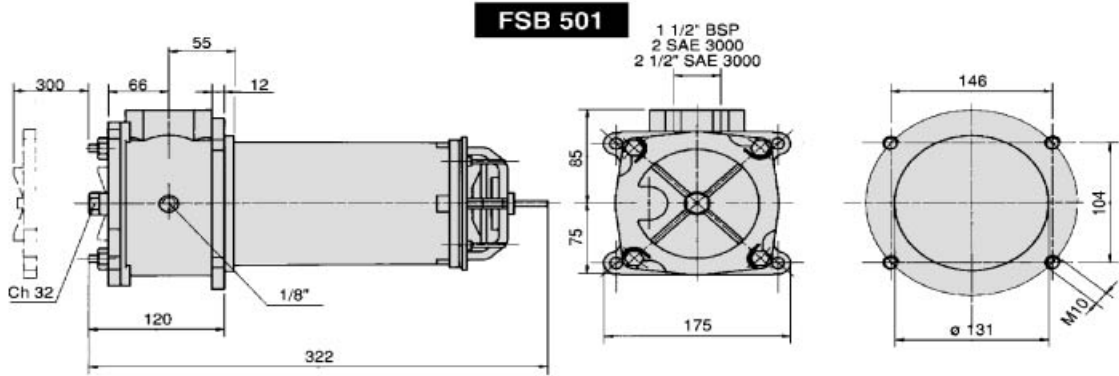
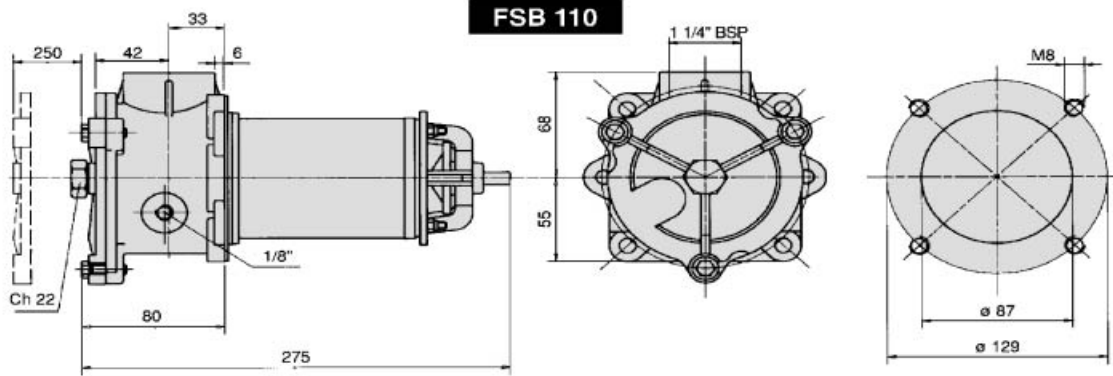
Collapse, differential for the filter element

(ISO 2941): 100 kPa (1 bar)

WORKING TEMPERATURE:

From -25° to +110° C

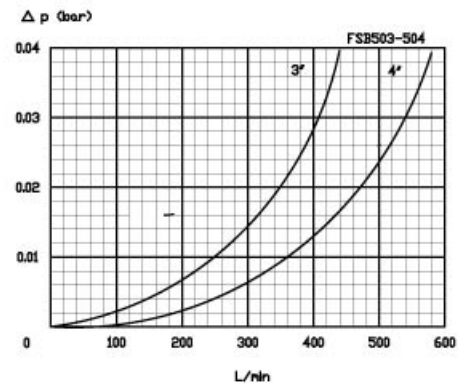
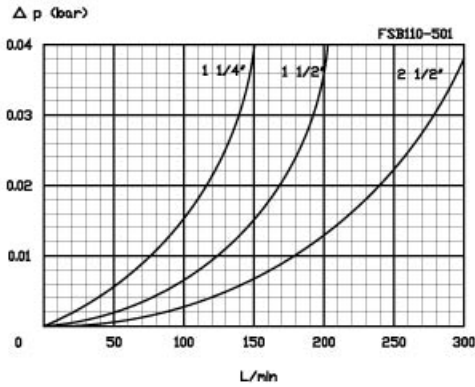
外廓尺寸
DIMENSIONAL LAYOUT



过滤器总成的压降等于壳体的压降加上清洁滤芯的压降。在选择流量时，过滤器的阻力最好小于3KPa(0.03bar)。

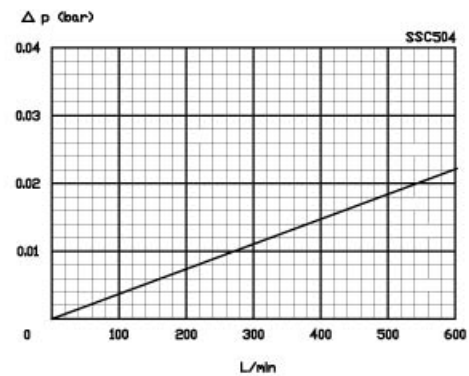
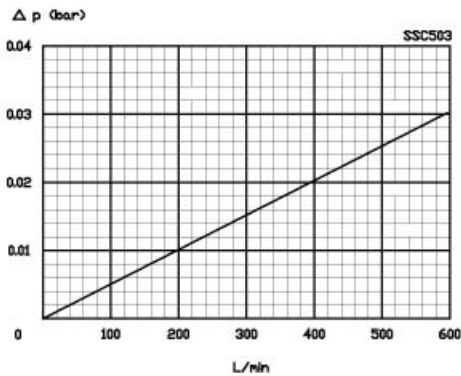
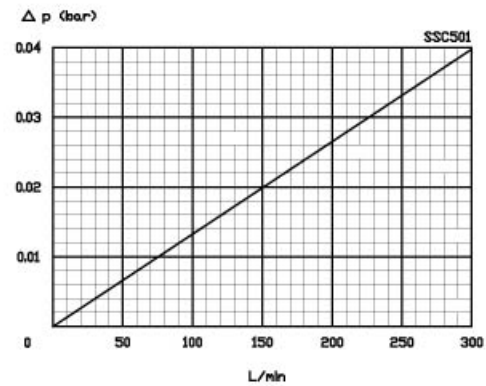
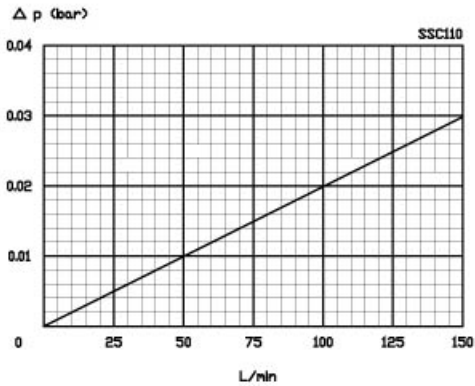
The "Assembly Pressure Drop (ΔP)" is obtained by adding the pressure drop values of the Filter Housing and of the Clean Filter Element corresponding to the considered Flow Rate and it must be lower than 3KPa(0.03bar).

过滤器壳体压降 Filter Housing Pressure Drop



清洁滤芯压降 (滤材: 编织网)

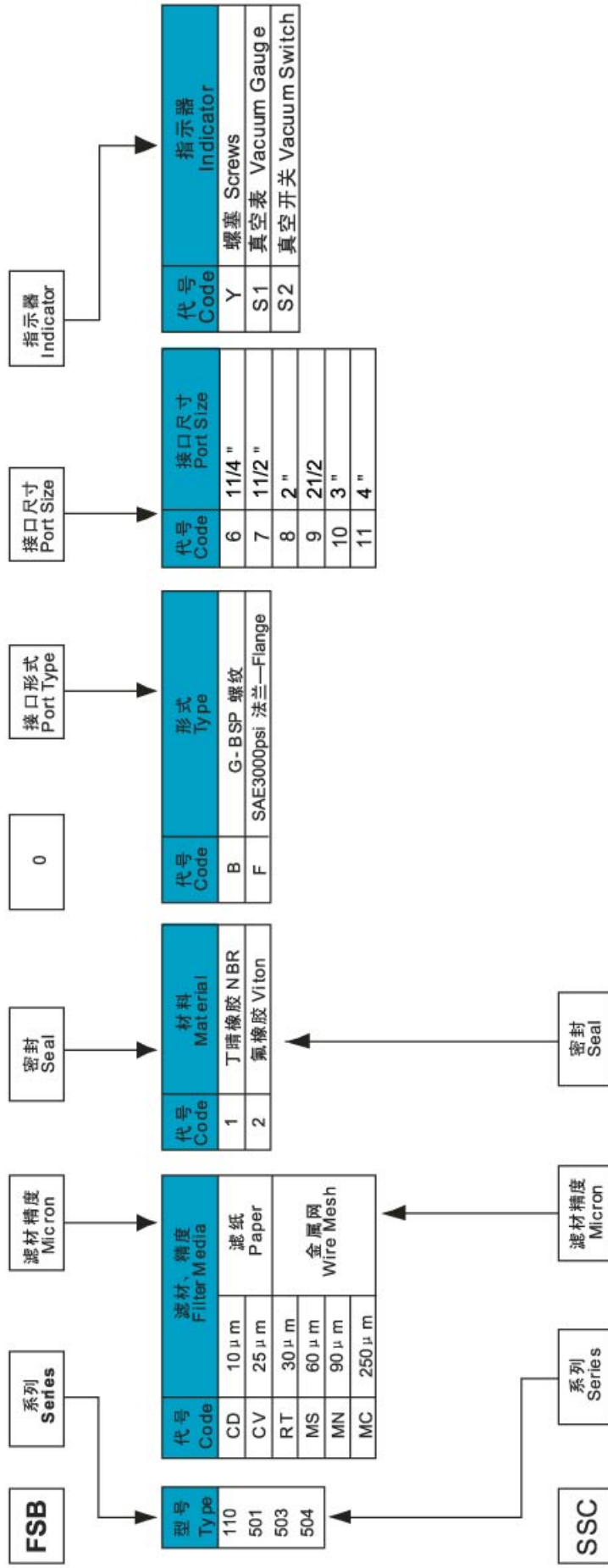
Clean Filter Element Pressure Drop with Wire Mesh MS, MCV, MDC Media



所有压降曲线是在动力粘度30cSt、密度0.9条件下，按ISO 3968:2005由矿物油试验得到。

N.B. All the curves have been obtained with mineral oil having a kinematic viscosity 30cSt and specific gravity 0,9; according to the specification ISO 3968:2005.

如何选购过滤器
How to order the completed filter



如何选购滤芯
How to order the filter element