



FSF

吸油过滤器

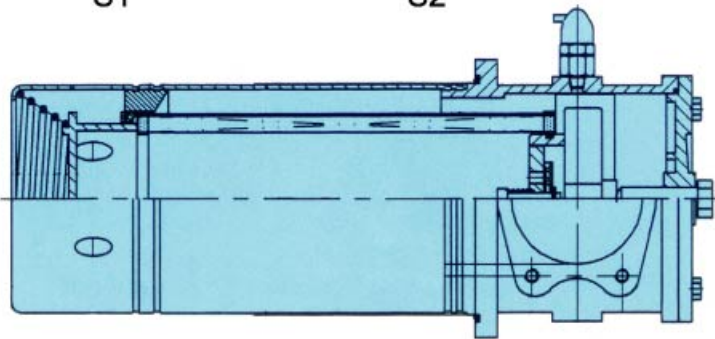
Suction Filters



S1



S2



材料

壳体: 铝合金

滤芯: 滤纸, 编织网

压力 (ISO 10771-1:2002)

标准滤芯爆破压力: 100KPa (1 bar)

工作温度:

-25° to +110° C

MATERIALS

Housing: Aluminium Alloy

Element: Paper, Wire Mesh

PRESSURE (ISO 10771-1:2002)

Collapse, differential for the filter element (ISO 2941): 100 kPa (1 bar)

WORKING TEMPERATURE:

From -25° to +110° C

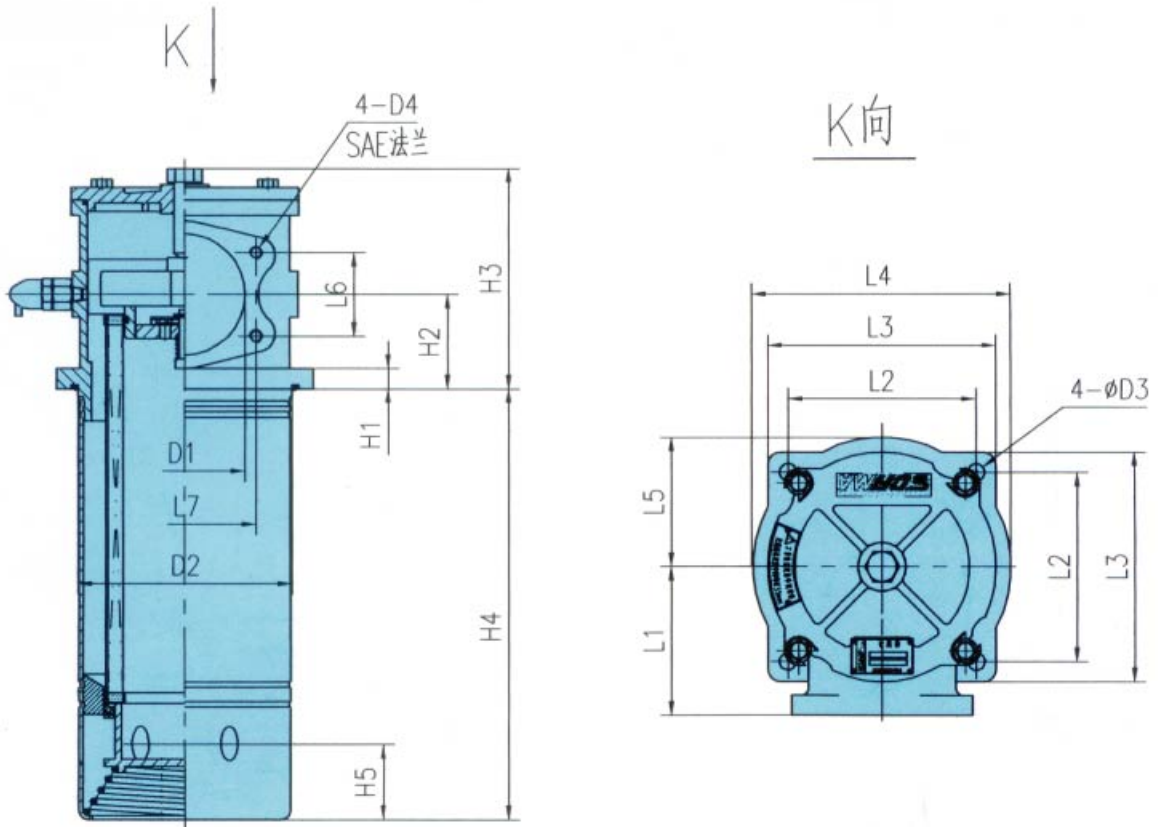
易于维护

转动盖顶的六方螺帽, 关闭切断阀, 更换滤芯时, 油箱油液不会溢出。

EASY MAINTENANCE

Operated by a hexagonal cover stud the shut-of valve isolates the tank Oil allowing easy element replacement without emptying the reservoir.

外廓尺寸(mm)
DIMENSIONAL LAYOUT



Type 型号	D1	D2	D3	D4	H1	H2	H3	H4	H5	L1	L2	L3	L4	L5	L6	L7	焊管外径 Q
FSF063	G1	75	9	--	10	33	98	138	40	54	71	90	-	47	-	--	--
	M33×2							188									
FSF100	G1 1/4	110	13	10	13	40	102	200	53	85	95	125	134	67	35.7	69.8	φ57
	M42×2							270									
FSF160	G1 1/2	130	13	10	15	55	127	275	60	90	110	140	158	79	42.9	77.8	φ65
FSF250	法兰 φ50							270									
FSF400	法兰 φ65	160	13	10	15	70	164	275	55	110	140	070	192	96	62	106.4	φ102
FSF500	法兰 φ90							319									
FSF630	法兰 φ90	160	13	10	15	70	164	385	55	110	140	070	192	96	62	106.4	φ102
FSF800								460									
FSF1000								460									

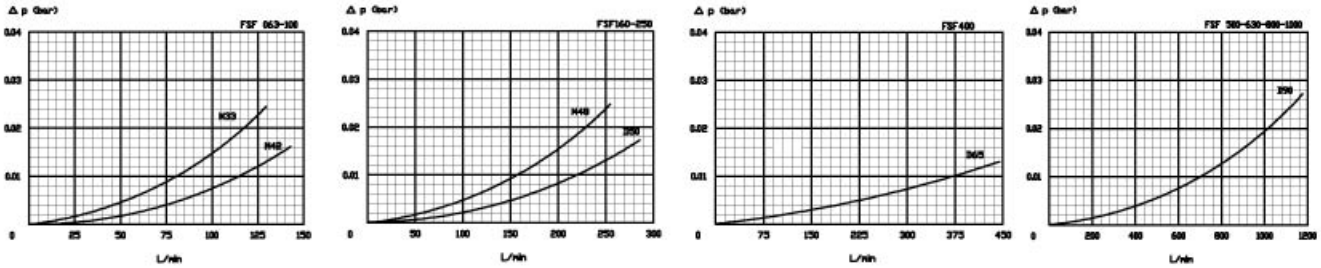
注本产品配套提供出油口SAE法兰,用户需要准备外径φQ的管子用于焊接。

Note:the output flange of this series will be supplied by our plant, The customer need weld the steel tube φ Q only.

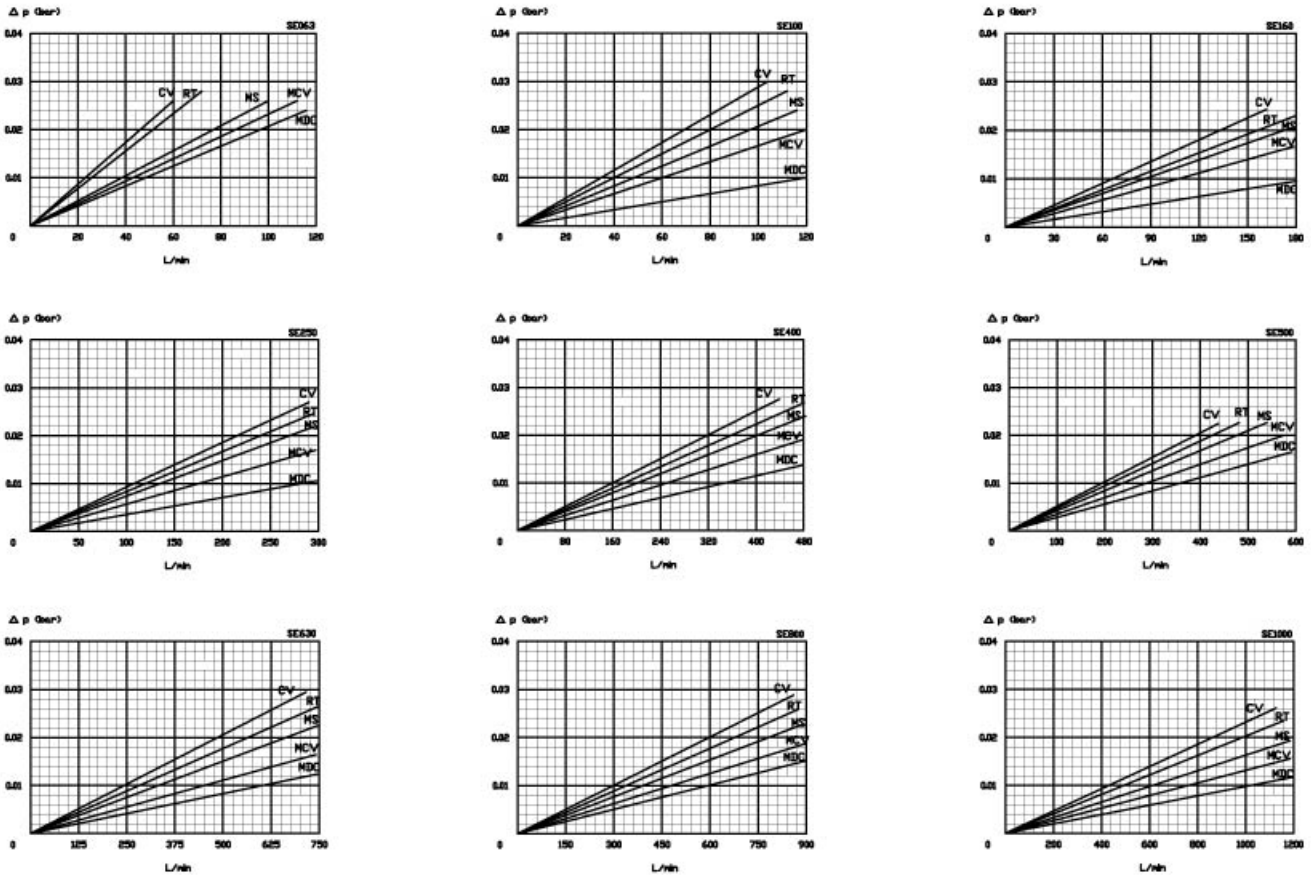
过滤器总成的压降等于壳体的压降加上清洁滤芯的压降。在选择流量时，过滤器的阻力最好小于30KPa(0.3bar)。

The "Assembly Pressure Drop (ΔP)" is obtained by adding the pressure drop values of the Filter Housing and of the Clean Filter Element corresponding to the considered Flow Rate and it must be lower than 30KPa(0.3bar).

过滤器壳体压降 Filter Housing Pressure Drop



清洁滤芯压降 (滤材: 滤纸和金属网) Clean Filter Element Pressure Drop with C+ and W+ Media

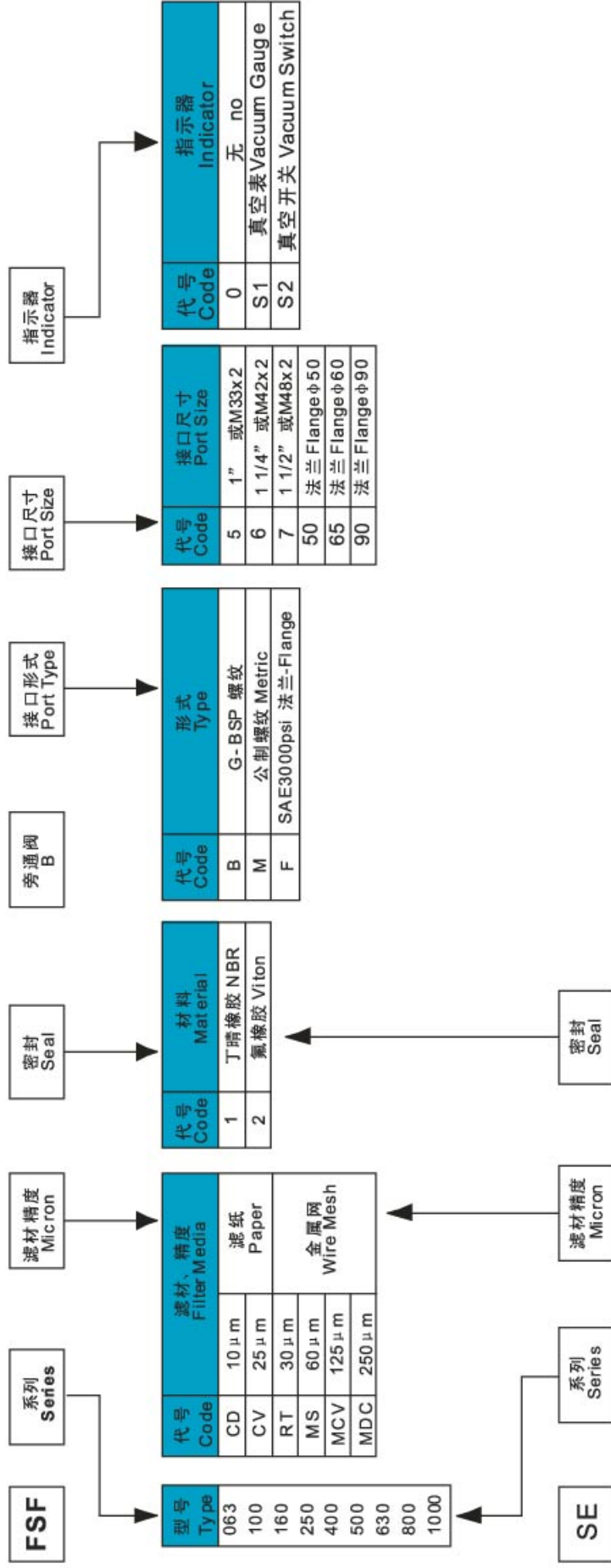


所有压降曲线是在动力粘度30cSt、密度0.9条件下，按ISO 3968:2005由矿物油试验得到。

N.B. All the curves have been obtained with mineral oil having a kinematic viscosity 30cSt and specific gravity 0,9; according to the specification ISO 3968:2005.

如何选购过滤器

How to order the completed filter



如何选购滤芯

How to order the filter element