



KTS 1MPa(10bar)

压力传送过滤器

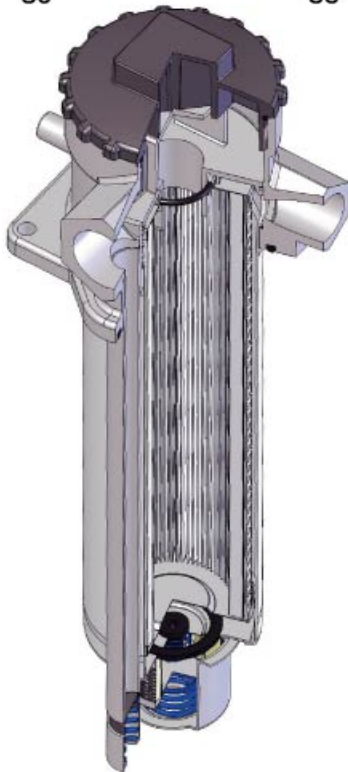
Hydrostatic Transmissions Filters



30



86



材料

滤头: 铝合金

顶盖: 聚酰胺或铝

下壳体: 钢

滤芯: 玻纤, 滤纸

压力 (ISO 10771-1:2002)

最大工作压力: 1MPa(10bar)

滤芯爆破压力: 1MPa (10 bar)

旁通阀压力: 设置: 250KPa(2.5bar)+/-10%

工作温度: -25° to +110° C

MATERIALS

Head: Aluminium Alloy

Cover: Polyamide or Aluminium

Bowl: Steel

Element: Paper, Wire Mesh

PRESSURE (ISO 10771-1:2002)

Max working: 1MPa(10bar)

Collapse, differential for the filter element
(ISO 2941): 1MPa (10 bar)

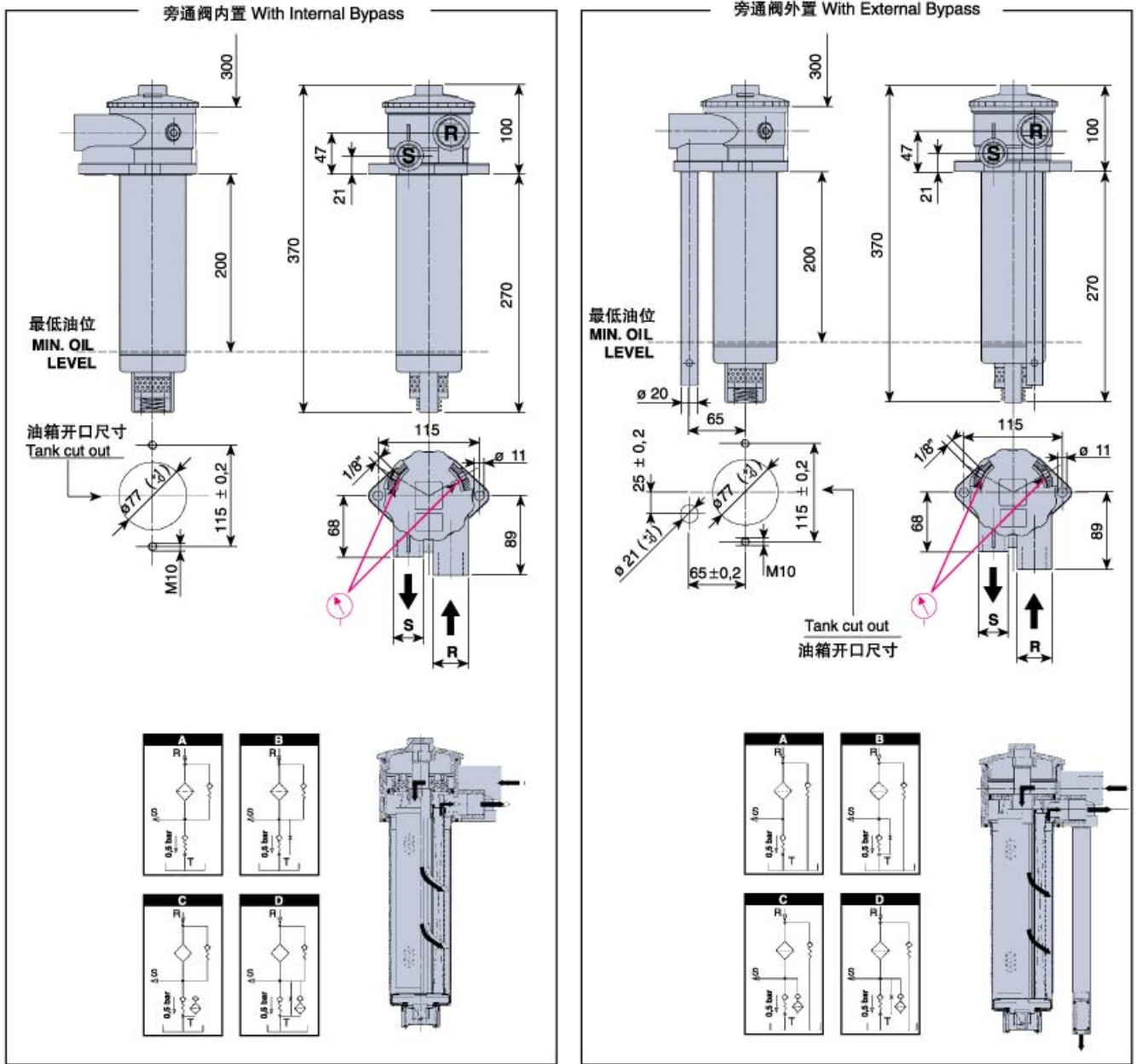
Bypass Valve: Setting: 250KPa(2.5bar)+/-10%

WORKING TEMPERATURE:

From -25° to +110° C

外廓尺寸
DIMENSIONAL LAYOUT

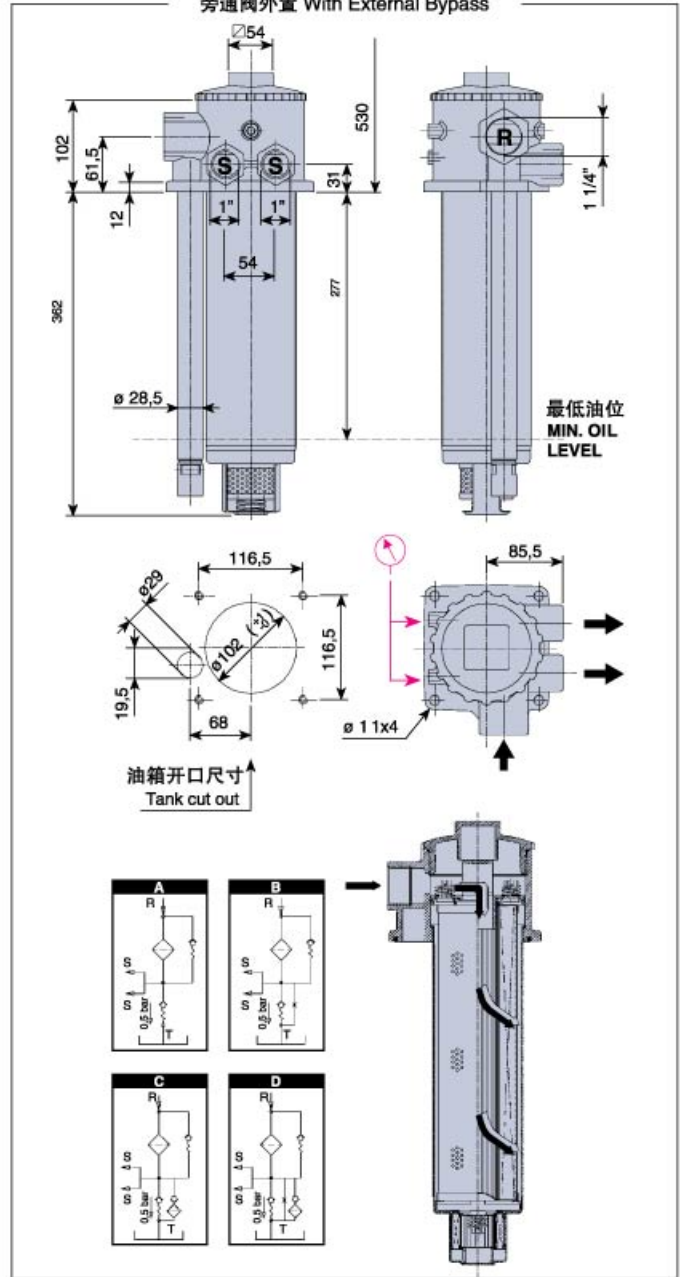
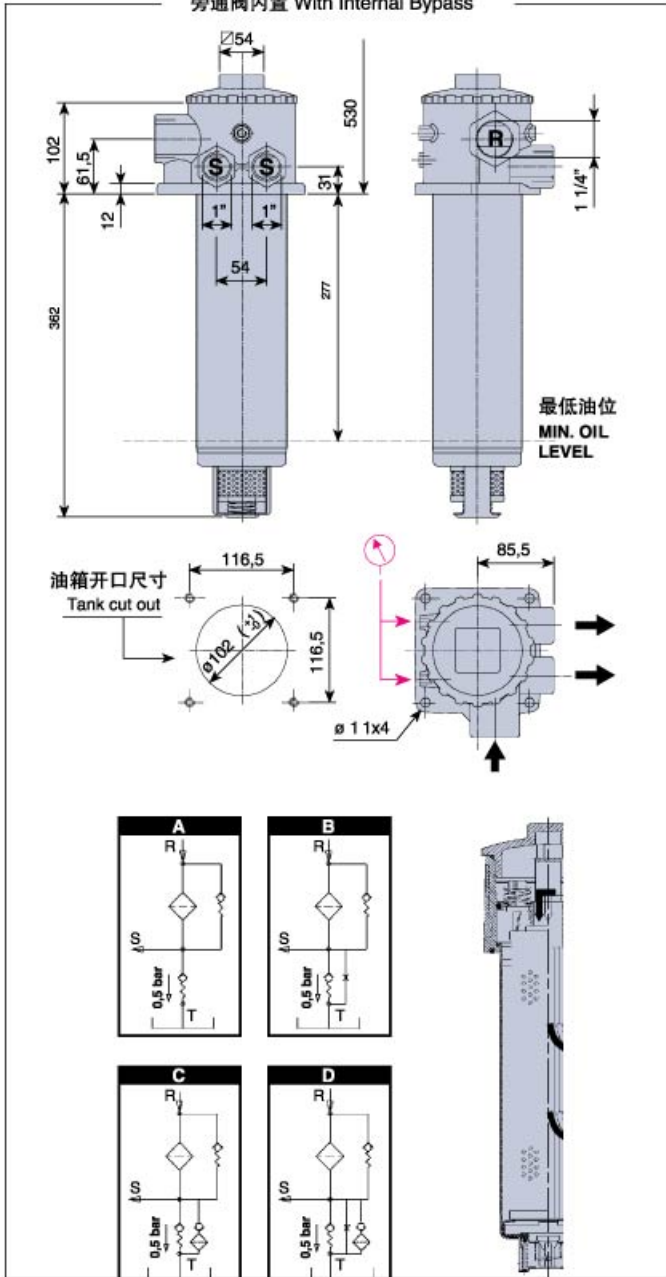
KTS110



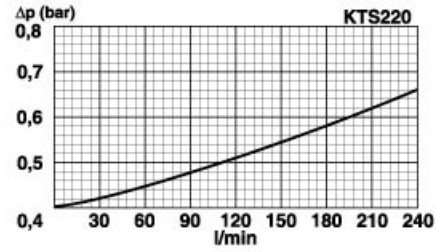
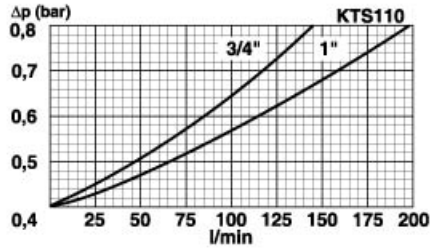
KTS220

旁通阀内置 With Internal Bypass

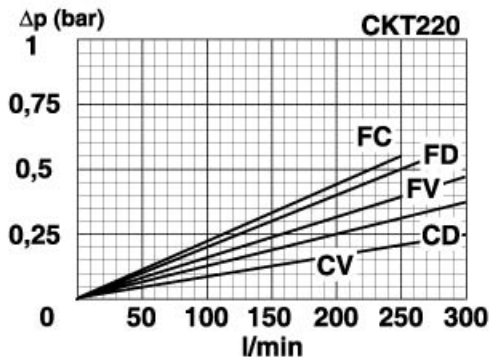
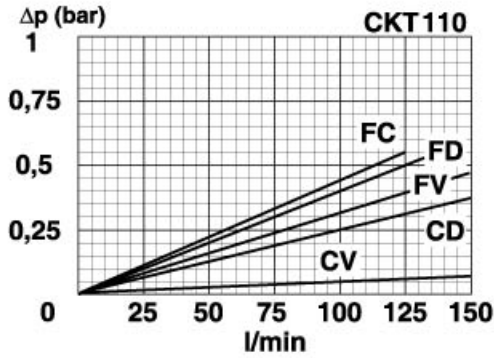
旁通阀外置 With External Bypass



过滤器壳体压降 Filter Housing Pressure Drop



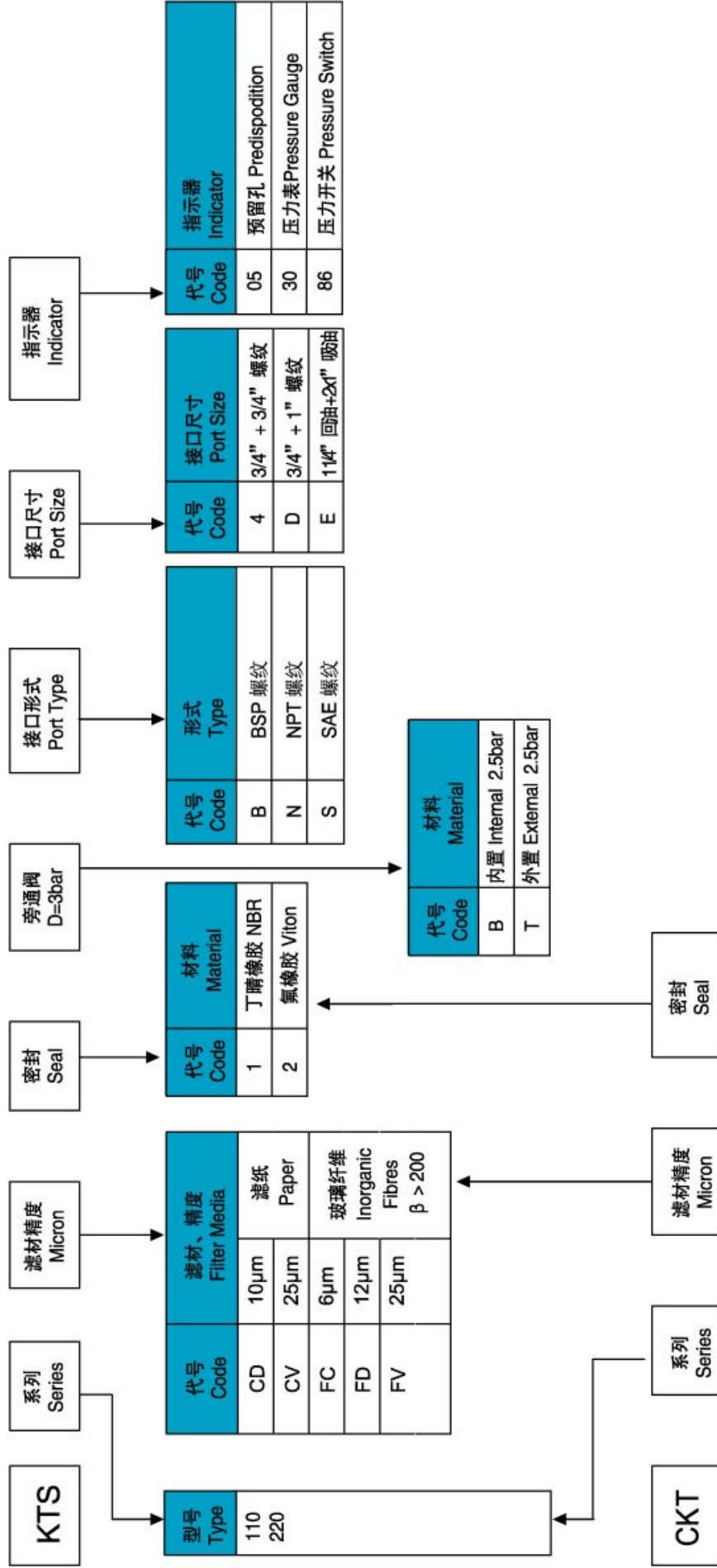
清洁滤芯压降 (滤材: 玻纤, 滤纸) Clean Filter Element Pressure Drop with F+ & C+ Media



所有压降曲线是在动力粘度30cSt、密度0.9条件下，按ISO 3968:2005由矿物油试验得到。

N.B. All the curves have been obtained with mineral oil having a kinematic viscosity 30cSt and specific gravity 0,9; according to the specification ISO 3968:2005.

如何选购过滤器 How to order the completed filter



如何选购滤芯 How to order the filter element

