



MRH 2MPa(20bar)

回油过滤器

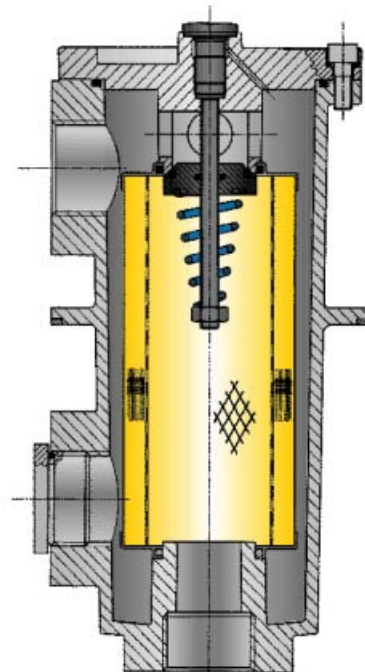
Return Filters



51



71



材料

壳体 and 顶盖: 铝

滤芯: 玻纤, 滤纸, 金属网

压力 (ISO 10771-1:2002)

工作压力: 2MPa(20bar)

滤芯爆破压力: 1MPa (10bar)

旁通阀设置: 300 kPa (3 bar) +/-10%

工作温度: -25° to +110° C

MATERIALS

Housing & Cover: Aluminium Alloy

Element: Inorganic Fibers, Paper, Wire Mesh

PRESSURE (ISO 10771-1:2002)

Max working: 2MPa(20bar)

Collapse, differential for the filter element:

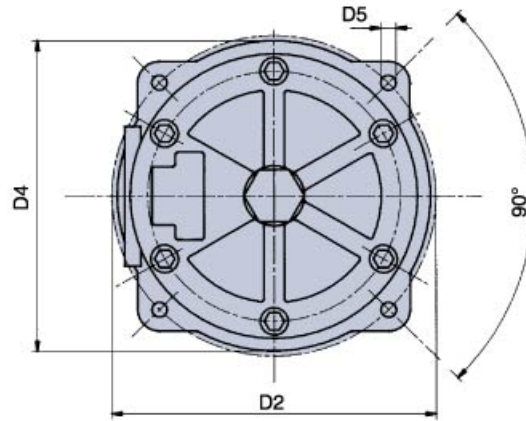
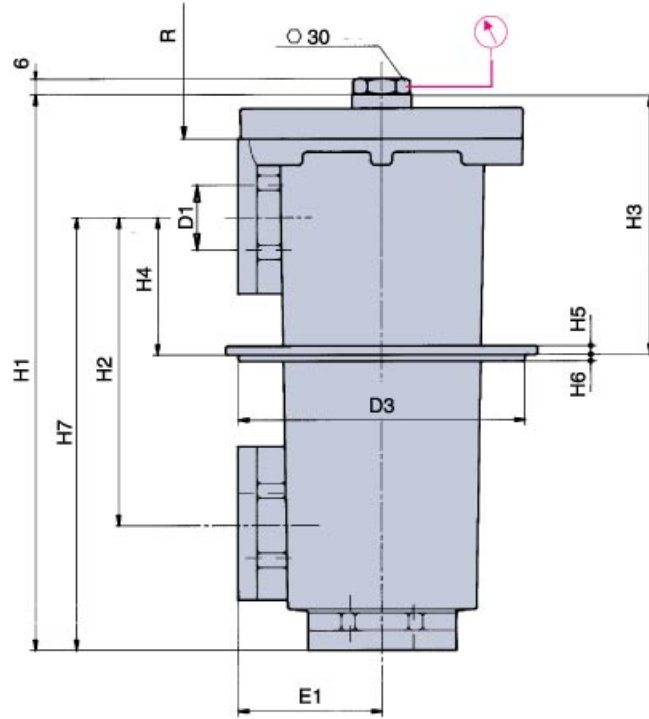
1MPa (10 bar)

BYPASS VALVE: Setting: 300 kPa (3bar) +/-10%

WORKING TEMPERATURE:

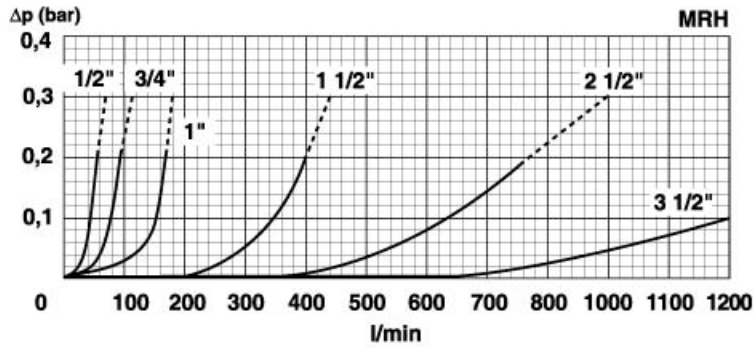
From -25° to +110° C

外廓尺寸
DIMENSIONAL LAYOUT



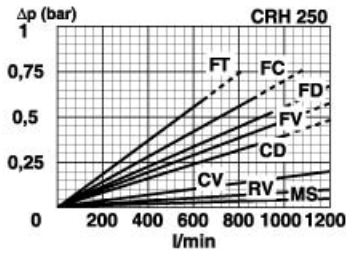
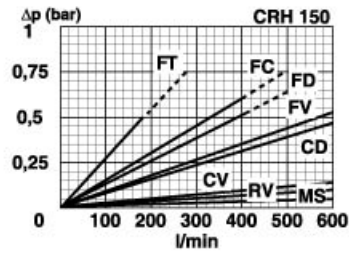
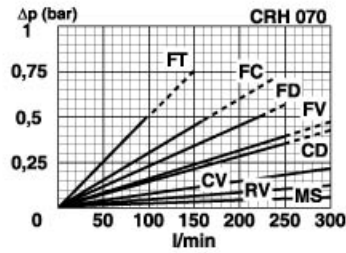
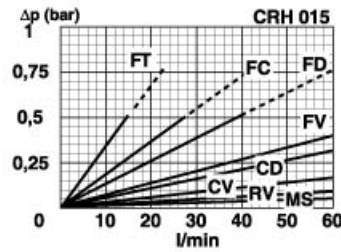
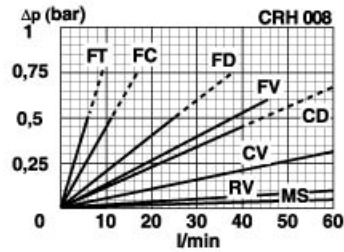
FILTER HOUSING															
型号 Type	D1	D2	D3	D4	D5	E1	H1	H2	H3	H4	H5	H6	H7	R	kg
MRH008	1/2"	95	83,5	90	5,5	43	160	62,5	96	31,5	4	3	96	105	1,3
MRH015	3/4"	138	121	128	6,5	57	191	105	100	52	6	3	145	110	2,6
MRH025	1"	154	135	147	6,5	67	250	140	117	63	8	4	197	155	3,7
MRH070	1 1/2"	180	162	174	8,5	82	323	177	155	82	8	4	269	240	6,5
MRH150	2 1/2"	275	237	254	10,5	117,5	420	218	192	91	10	8	320	275	14,2
MRH250	3 1/2"	275	237	300	14,5	178	673	-	248	130	10	5	-	525	49,0

过滤器壳体压降 Filter Housing Pressure Drop



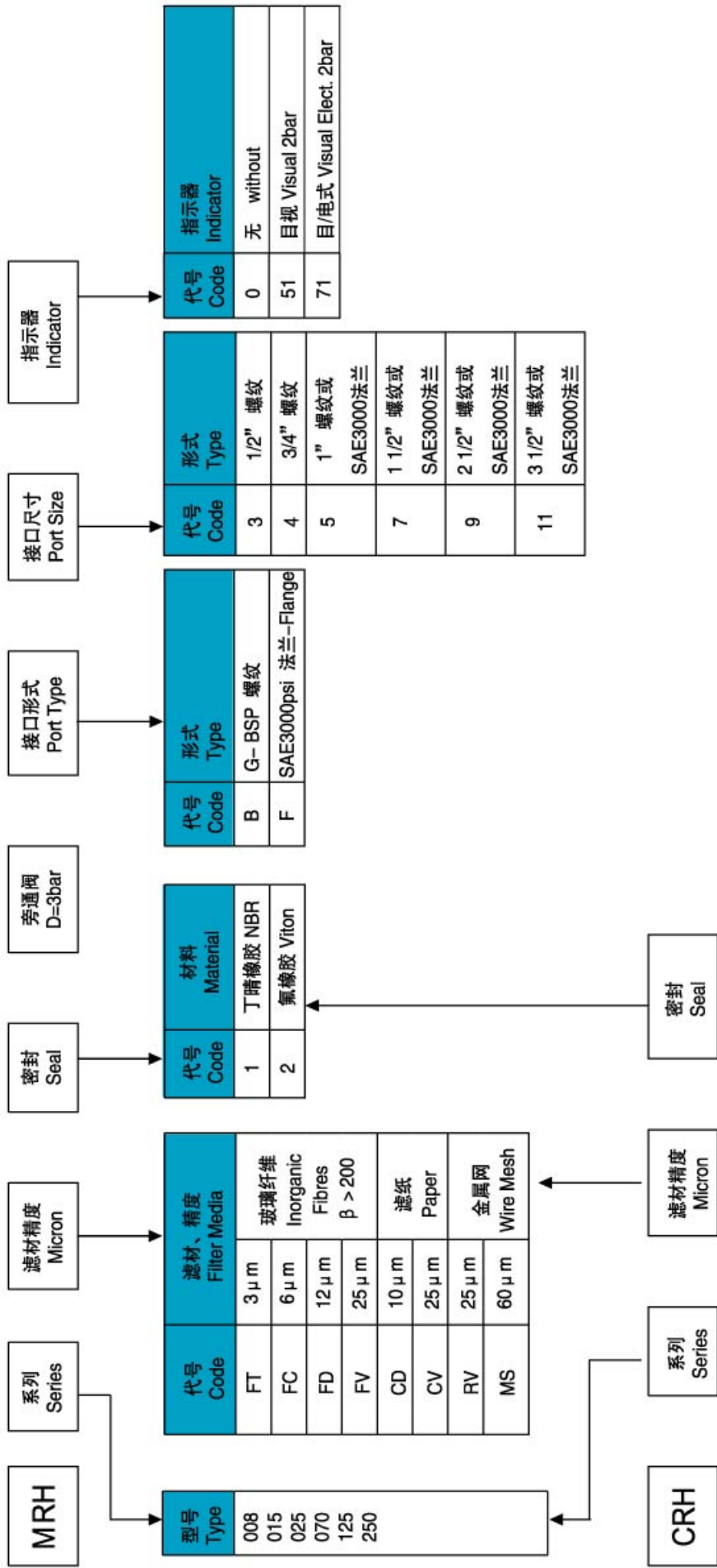
清洁滤芯压降 (玻纤, 纸和金属网)

Clean Filter Element Pressure Drop with F + and C+ MS



所有压降曲线是在动力粘度30cSt、密度0.9条件下，按ISO 3968:2005由矿物油试验得到。
N.B. All the curves have been obtained with mineral oil having a kinematic viscosity 30cSt and specific gravity 0,9; according to the specification ISO 3968:2005.

如何选购过滤器
How to order the completed filter



如何选购滤芯
How to order the filter element