



SPP 31.5MPa(315bar)

板式侧装压力过滤器

Pressure Filters,
Manifold Side Mounting



52



72



材料

滤头: 铸铁

下壳体: 钢

滤芯: 玻纤, 滤纸, 编织网

压力 (ISO 10771-1:2002)

最大工作压力: 31.5 MPa (315 bar)

试验压力: 47 MPa (470 bar)

爆破压力: 95 MPa (950 bar)

标准滤芯: 2 MPa (20 bar)

H+ 滤芯: 21 MPa (210 bar)

旁通阀: 600 kPa (6 bar) +/-10%

工作温度: -25° to +110° C

MATERIALS

Head: Cast iron

Bowl: Steel

Element: Inorganic Fibers, Paper, Wire Mesh

PRESSURE (ISO 10771-1:2002)

Max. working: 31.5 MPa (315 bar)

Test: 47 MPa (470 bar)

Bursting: 95 MPa (950 bar)

Element: series standard 2 MPa (20 bar)

serie H+ 21 MPa (210 bar)

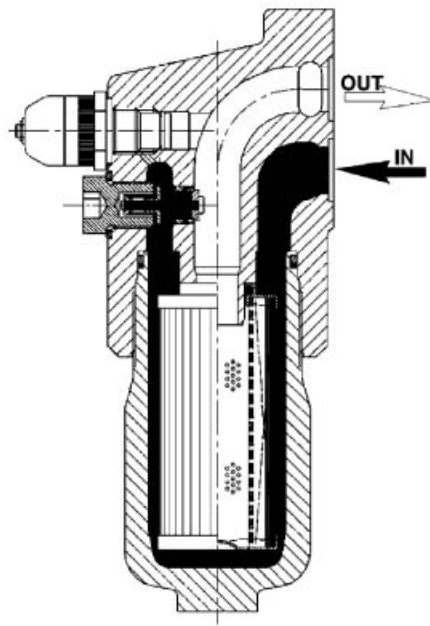
BYPASS VALVE:

600 kPa (6 bar) +/-10%

WORKING TEMPERATURE:

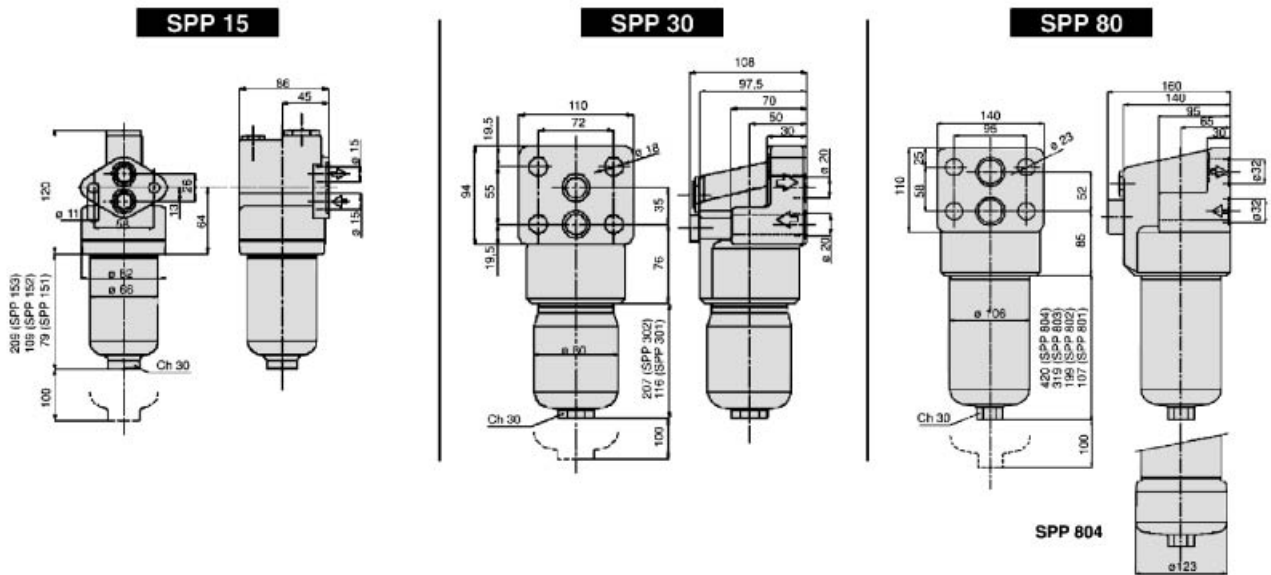
From -25° to +110° C

安装原理
INSTALLATION DETAILS



外廓尺寸
DIMENSIONAL LAYOUT

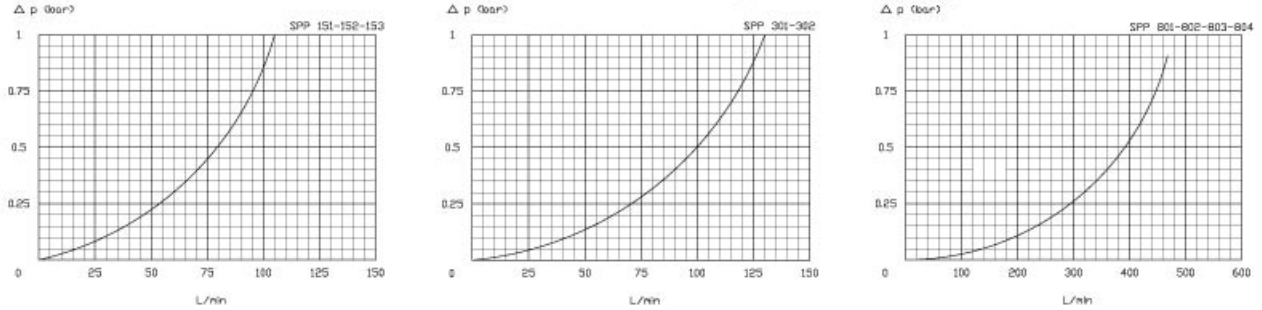
(mm)



过滤器总成的压降等于壳体的压降加上清洁滤芯的压降。在选择流量时，过滤器的阻力最好小于120KPa(1.2bar)。

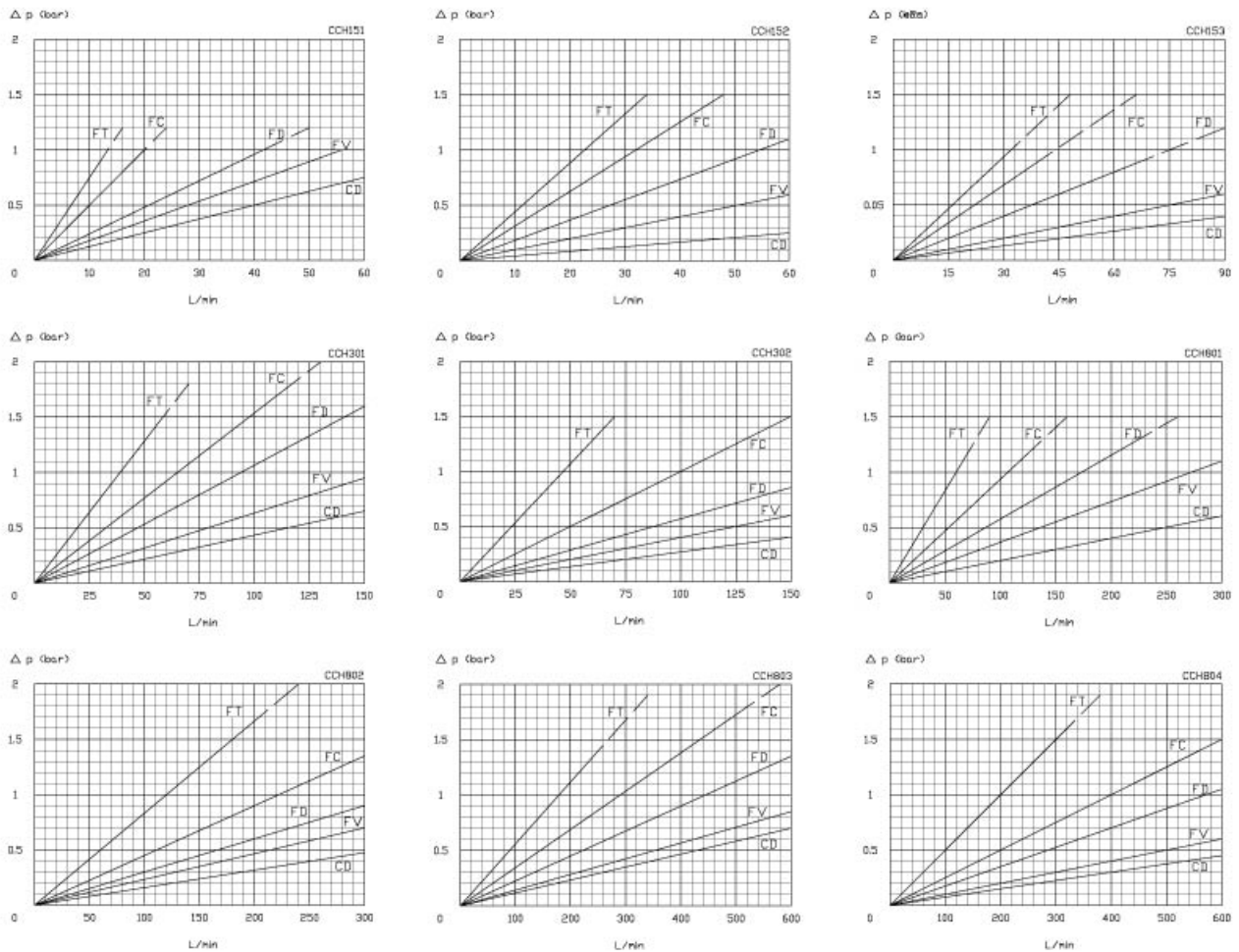
The "Assembly Pressure Drop (ΔP)" is obtained by adding the pressure drop values of the Filter Housing and of the Clean Filter Element corresponding to the considered Flow Rate and it must be lower than 120KPa(1.2bar).

过滤器壳体压降 Filter Housing Pressure Drop



清洁滤芯压降 (滤材: 玻纤和纸)

Clean Filter Element Pressure Drop with F + and C+ Media

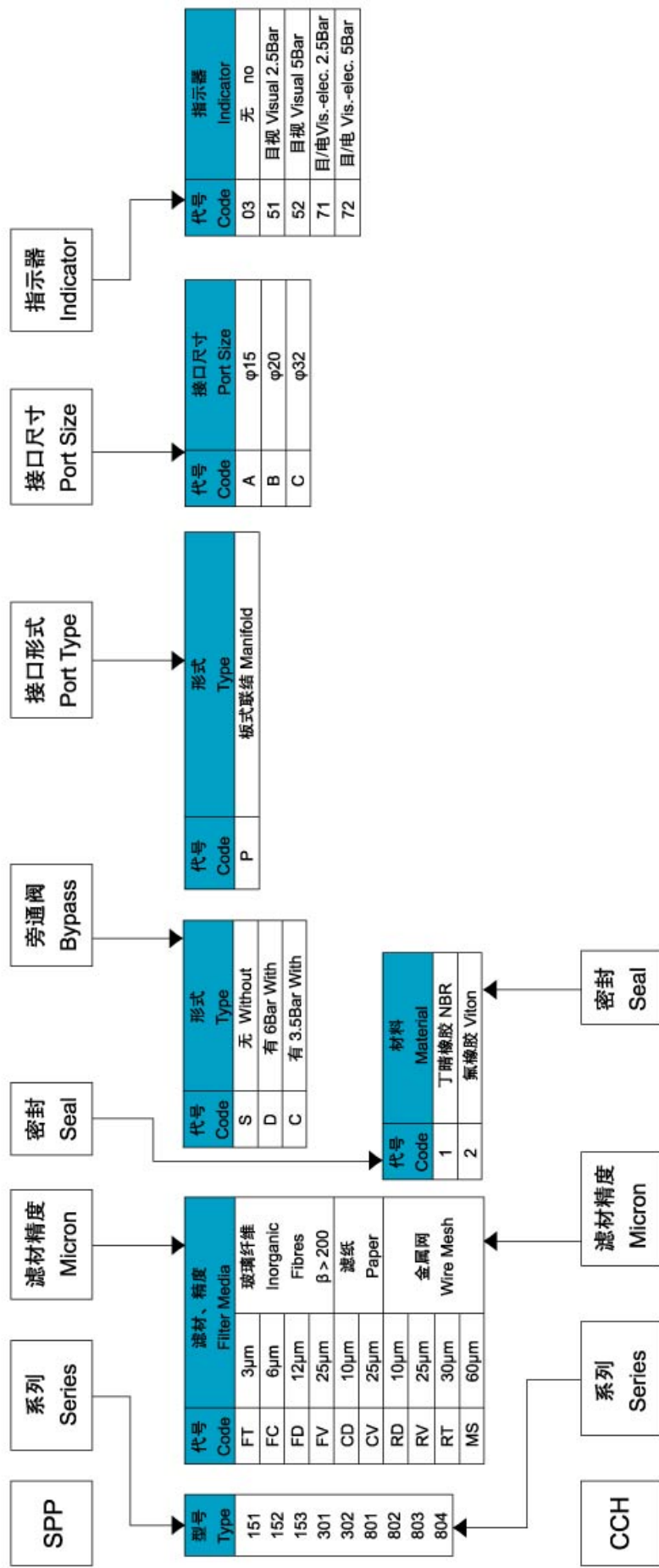


所有压降曲线是在动力粘度30cSt、密度0.9条件下，按ISO 3968:2005由矿物油试验得到。

N.B. All the curves have been obtained with mineral oil having a kinematic viscosity 30cSt and specific gravity 0,9; according to the specification ISO 3968:2005.

如何选购过滤器

How to order the completed filter



如何选购滤芯

How to order the filter element