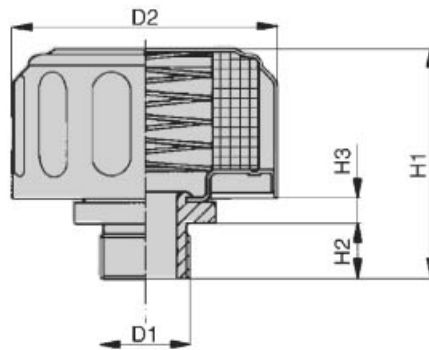




TM

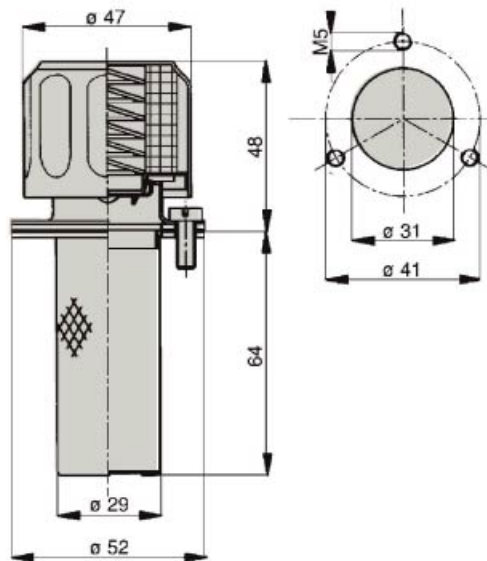
**加油
呼吸空气滤**
Air Breather

螺纹联结空气呼吸过滤器
Threaded air breather plugs

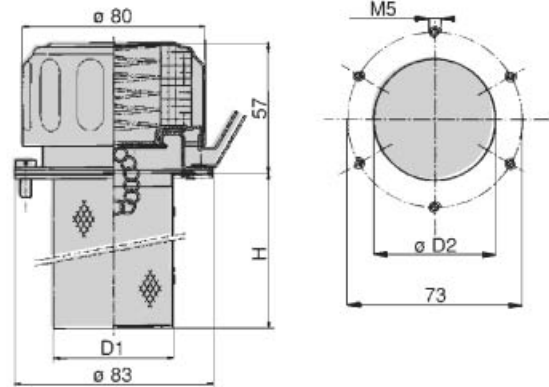


| 型号 Type | μ | D1 | D2 | H1 | H2 | H3 | CH | m ³ /min | 预压阀 |
|------------|----|-----------|------|------|----|----|----|---------------------|----------|
| TM 150 B1 | 10 | 1/4" BSP | 47 | 45 | 12 | 7 | 19 | 0,15 | — |
| TM 450 B1 | 40 | 1/4" BSP | 47 | 45 | 12 | 7 | 19 | 0,30 | — |
| TM 178 B4 | 10 | 3/4" BSP | 76,2 | 65,7 | 16 | 7 | 35 | 0,45 | — |
| TM 478 B4 | 40 | 3/4" BSP | 76,2 | 65,7 | 16 | 7 | 35 | 0,75 | — |
| TM178B4P3 | 10 | 3/4 " BSP | 76.2 | 65.7 | 16 | 7 | 35 | 0.45 | 0.35 bar |
| TM478B4P3 | 40 | 3/4 " BSP | 76.2 | 65.7 | 16 | 7 | 35 | 0.75 | 0.35 bar |

加油空气呼吸过滤器 Filler Breather



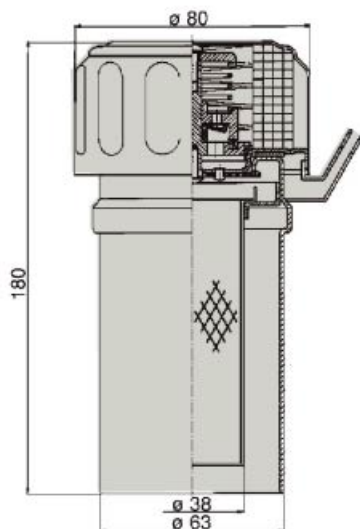
需要配挂锁的在型号后加“L”
Padlock holder add suffix “L”



| 型号 Type | μ | m^3/min |
|------------|-------|-----------|
| TM 150 G65 | 10 | 0,15 |
| TM 450 G65 | 40 | 0,30 |

| 型号 Type | H | D1 | D2 | μ | m^3/min | 预压阀 Pressure Valve |
|---------------|-----|----|----|-------|-----------|-----------------------|
| TM 178 G78 | 78 | 50 | 52 | 10 | 0.45 | - |
| TM 478 G78 | 78 | 50 | 52 | 40 | 0.75 | - |
| TM 178 G150 | 148 | 50 | 52 | 10 | 0.45 | - |
| TM 178 G150 | 148 | 50 | 52 | 40 | 0.75 | - |
| TM 178 G100 | 100 | 38 | 40 | 10 | 0.45 | - |
| TM 478 G100 | 100 | 38 | 40 | 40 | 0.75 | - |
| TM 178 G78P3 | 78 | 50 | 52 | 10 | 0.45 | 0.35bar |
| TM 478 G78P3 | 78 | 50 | 52 | 40 | 0.75 | 0.35bar |
| TM 178 G150P3 | 148 | 50 | 52 | 10 | 0.45 | 0.35bar |
| TM 478 G150P3 | 148 | 50 | 52 | 40 | 0.75 | 0.35bar |
| TM 178 G100P3 | 100 | 38 | 40 | 10 | 0.45 | 0.35bar |
| TM 478 G100P3 | 100 | 38 | 40 | 40 | 0.75 | 0.35bar |

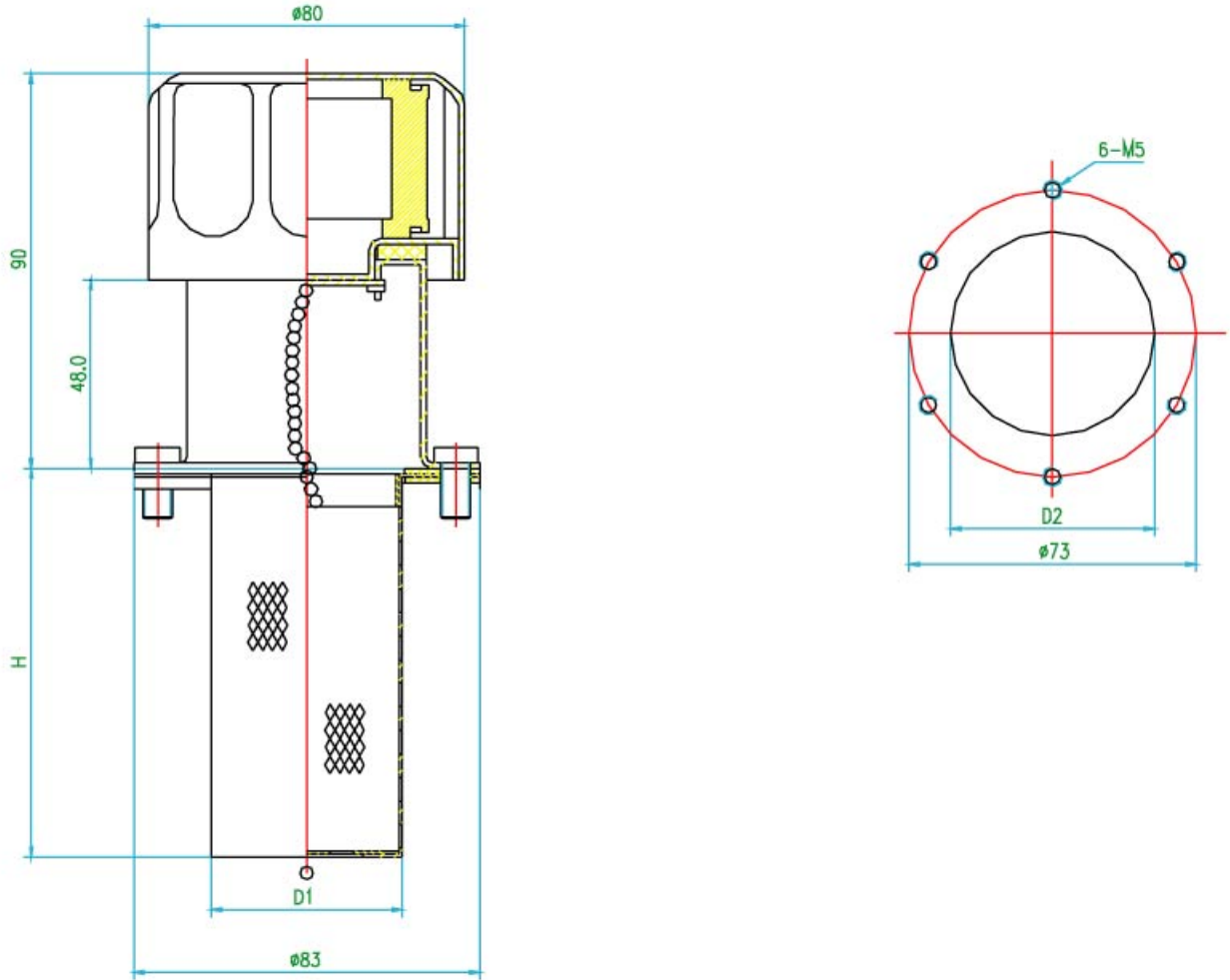
带护管加油空气呼吸过滤器 Filler breather with tube



需要配挂锁的在型号后加“L”
Padlock holder add suffix “L”

| 型号 Type | μ | m^3/min | 预压阀 Pressure Valve |
|---------------|-------|-----------|-----------------------|
| TM 178 T100 | 10 | 0.45 | - |
| TM 478 T100 | 40 | 0.75 | - |
| TM 178 T100P3 | 10 | 0.45 | 0.35bar |
| TM 478 T100P3 | 40 | 0.75 | 0.35bar |

带加长管加油空气呼吸过滤器
Filler Breather with long tube



| 型号 Type | H | D1 | D2 | T | m ³ /min |
|-----------|----|----|----|----|---------------------|
| TM178G78R | 78 | 49 | 52 | 10 | 0.45 |

